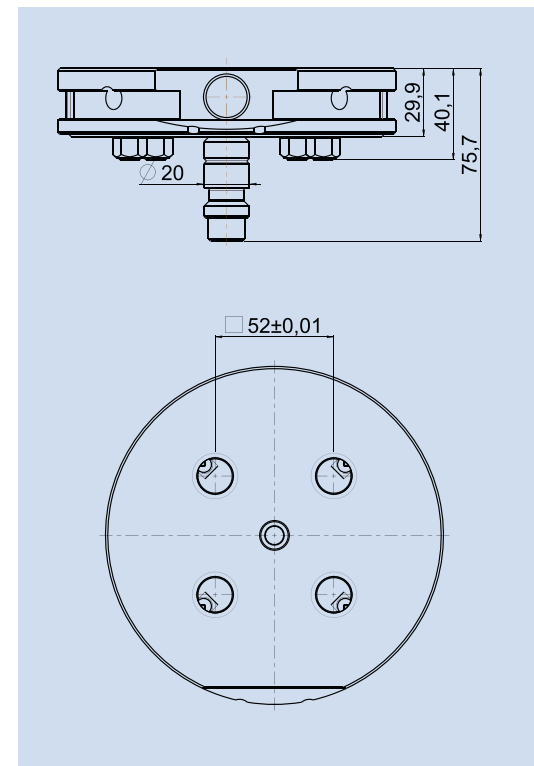
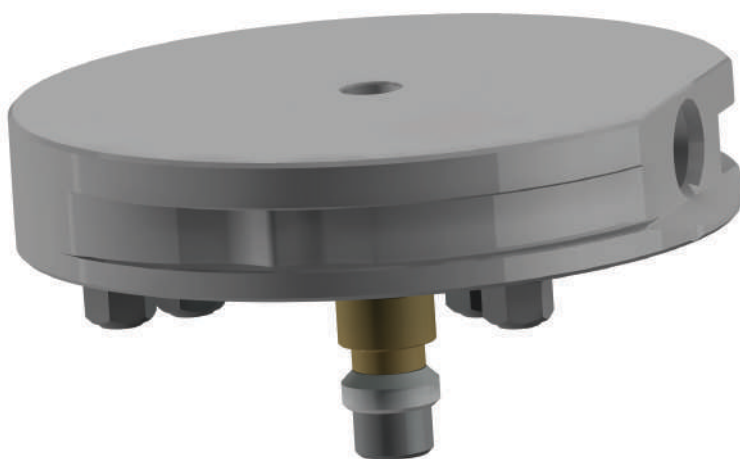


- Aluminum or steel Ø148 pallet
- Compatible with Erowa® Power Chuck P systems
- Includes the centring plate and pins
- Suitable for quick use with centring vices in automations



	APE1A	APE1S	APE2A	APE2S
Size	Ø148	Ø148	Ø148	Ø148
Material	EN AW 5083	42CrMo4-QT	EN AW 5083	42CrMo4-QT
Zero point system compatible	Blank	Blank	□ 52	□ 52

APE1
APE2